

# TECHNICAL BULLETIN

## Installation Instructions for IP Dialer Solution

The information contained in this document is to be used as a quick reference guide. For detailed system information, please refer to the FACP Installation & Operation Manual and Bosch C900V2 Installation Manual.

### General Description:

Alarms and other information may be transmitted from a FireNET panel over a Local Area Network (LAN), Wide Area Network (WAN), or the Internet by utilizing the FN-DAC and the Bosch C900V2.

This Installation Instruction Guide describes the connection between FireNET, FN-DAC, C900V2 and the LAN, WAN, or the Internet.

### Specification:

#### **FN-DAC: Hochiki Part # 0100-04620**

Supply Voltage	24VDC
Current Consumption at 12VDC	140 mA
Output to Phone lines	Public Switch Telephone Network (PSTN)
Operating Temperature	32°F (0°C) ~ 120°F (49°C)
Dimension	5.48" x 7.48"

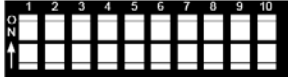
#### **C900V2: Hochiki Part # 0100-04625**

Supply Voltage	12VDC ~ 24VDC
Current Consumption at 12VDC	280 mA
Output to LAN or WAN	UDP/IP Packets
Operating Temperature	32°F (0°C) ~ 120°F (49°C)
Dimension	7" x 4.5"

*Note: Please refer to the Bosch C900V2 datasheet for detailed specifications on the above product.*

### Dialer Format Settings:

C900V2's Dip Switch settings enables dialer format setting for the host alarm panel. The information below is to set the standard dialer formats:

- CID:  SW 1 = OFF, SW 2 = OFF, SW 3 = ON, SW 4 = OFF, SW 10 = ON.

- SIA: 

	1	2	3	4	5	6	7	8	9	10
Q										
N										
↑										

 SW 1 = ON, SW 2 = ON, SW 3 = OFF, SW 4 = OFF, SW 10 = ON.

### **Wiring Scheme:**

When designing or installing a FN-DAC between a FireNET panel and C900V2, always be aware of the following:

- ✓ C900V2 must be installed in a separate enclosure (AE2 Red Enclosure - Hochiki Part #0100-09420) and in the same room as the FireNET Panel within 20 feet. Wiring must be enclosed in conduit or equivalently protected.
- ✓ C900V2's Output 1 and Output 2 must be wired to the FireNET Panel. Refer to C900V2 Supervision section and Figure 2.
- ✓ FN-DAC's Tip 1 connects to Pin 4 of the Ethernet Cable and Ring 1 connects to Pin 5 of the Ethernet cable for phone line 1 connection. Refer to Figure 1.
- ✓ Connect a jumper from FN-DAC's Tip 2 to Tip 1 and Ring 2 to Ring 1, which allows proper supervision of phone line 1 and 2. Refer to Figure 1.
- ✓ The CAT6 Ethernet cable connects to C900V2's "Panel Jack" for Primary phone line. Refer to Figure 1
- ✓ Network cabling should be a standard CAT6 Ethernet cable.
- ✓ Connect TELCO jack to a telephone line. Refer to Figure 1

### **C900V2 Supervision:**

In order to fully supervise both "CPU failure" and "Network Failure" from the C900V2 follow below programming instructions and wiring diagram on figure 1:

***Important!*** For proper Supervision, program the Programmable Input 1 & 2 Attributes as follows:

#### **Programmable Input 1:**

- Zone = 499
- Input Delay = NO
- Input Latch = NO
- Input Action = TROUBLE
- Edit Location Text = C900V2 CPU FAILURE

#### **Programmable Input 2:**

- Zone = 500
- Input Delay = NO
- Input Latch = NO
- Input Action = TROUBLE
- Edit Location Text = C900V2 NETWORK FAILURE

*Note: You must provide the programming configuration of the FireNET programmable Input 1 and 2 to your Central Station for proper response to these events. Zone 499 and 500 should not be used for any other purposes.*

**Wiring Diagrams:**

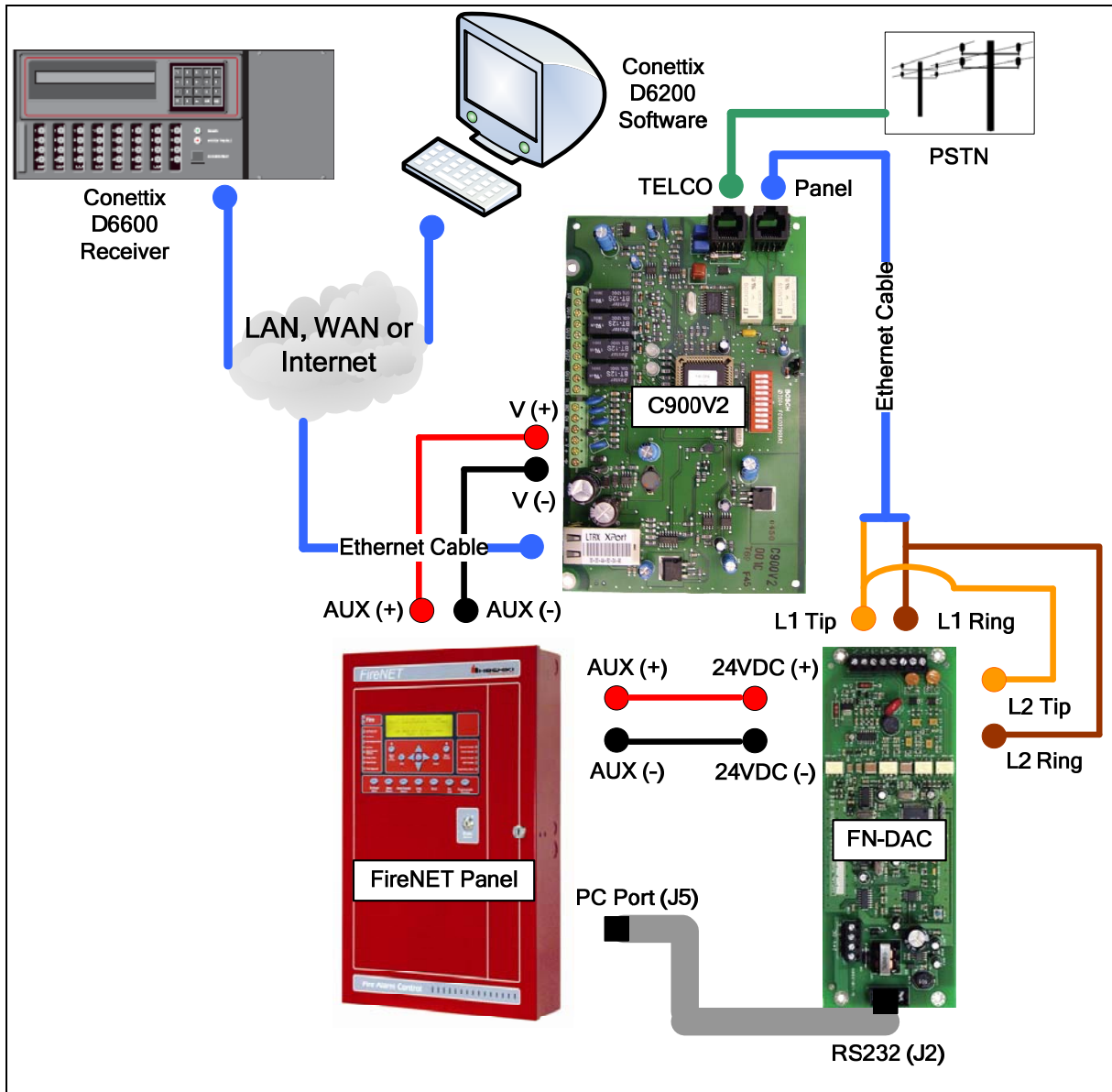


Figure 1

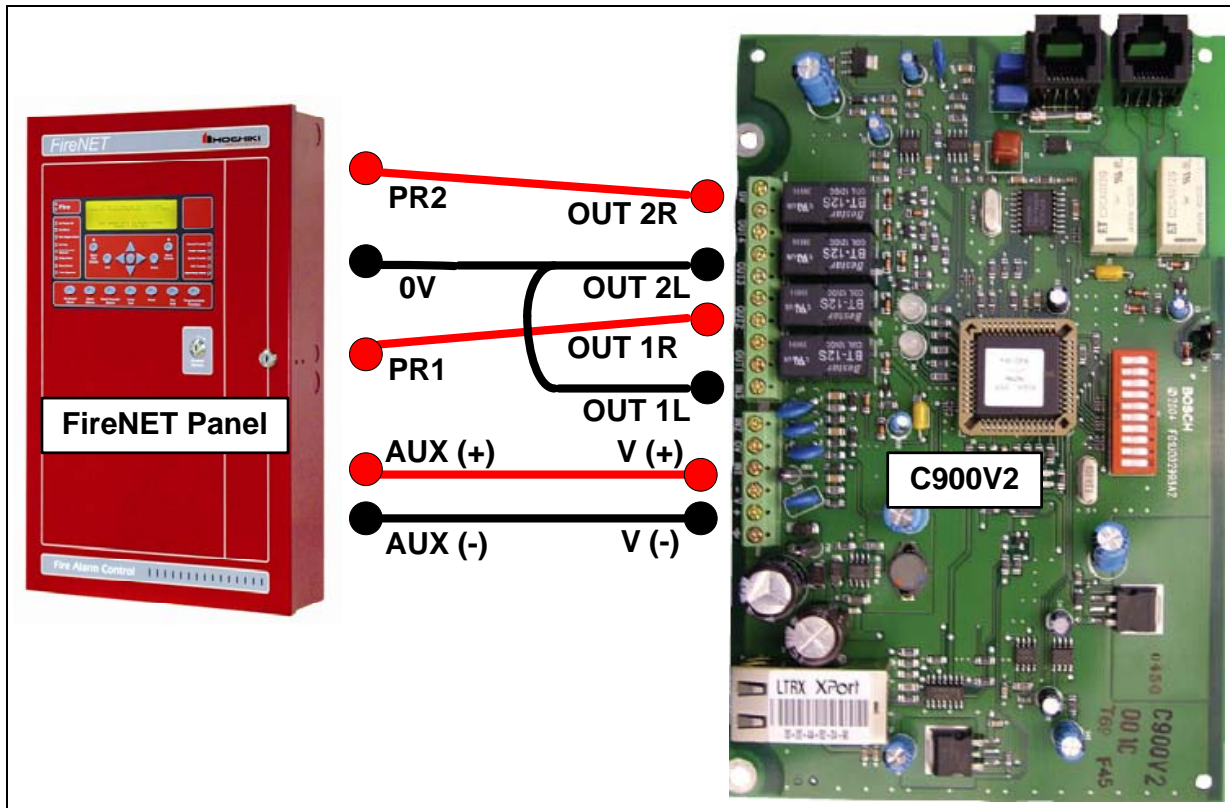


Figure 2

If you have any questions regarding this matter please contact Technical Support.

Technical Support  
1-800-845-6692  
[Technicalsupport@hochiki.com](mailto:Technicalsupport@hochiki.com)

Initial Release: 07/12/2010  
TB-004  
Rev. 1.00