

## HHLF SERIES - LOW FREQUENCY AUDIBLE SIGNAL



### APPLICATIONS

The HHLF is a high quality, low profile, low frequency audible appliance that offers a dependable audible alarm with a low current draw. The HHLF is ideal for any occupancy that requires notification appliances.

The HHLF horn offers a 520 Hz square wave, temporal 3 tone. A jumper selection is available for normal or loud decibel tone. A temporal 4 pattern is available when used with the Hochiki HTSM Synchronization Control Module.

The HHLF is shipped with a standard 4" metal mounting plate. The product also features a locking mechanism which secures the product to the bracket without any screws showing.

The HHLF horn is listed to ANSI/UL 464 and CAN/ULC S3597, is listed for use with fire protective systems and is warranted for three years from date of purchase.

### STANDARD FEATURES

- Nominal voltage 24 VDC
- Unit Dimensions: 6-1/8" (15.55 cm) high x 5-1/2" (13.97 cm) wide x 1-5/8" (4.13 cm) deep
- Synchronize horn with Hochiki HTSM Synchronization Control Module
- Prewire entire system, install mounting bracket, then install signals
- Input terminals accept 12 to 18 AWG
- Produces a 520Hz square wave, temporal 3 tone
- Jumper selection for normal or loud dBA
- Temporal 4 pattern available when used with Hochiki HTSM Synchronization Module
- Temporal 4 520Hz measured per ANSI/UL 2075
- Tamperproof re-entrant style grill and locking screw (optional use)
- Faceplate available in red or off-white

### PRODUCT COMPLIANCE

- NFPA 72
- IBC/IFC/IRC

Model Number	Part Number	Nominal Voltage
HHLFW	0500-07450	24 VDC
HHLFR	0500-07460	24 VDC

### PRODUCT LISTINGS



California State  
Fire Marshal  
7135-0410:0212

### MODEL DESIGNATIONS:

W = White Faceplate  
R = Red Faceplate  
All units are plain (no lettering)

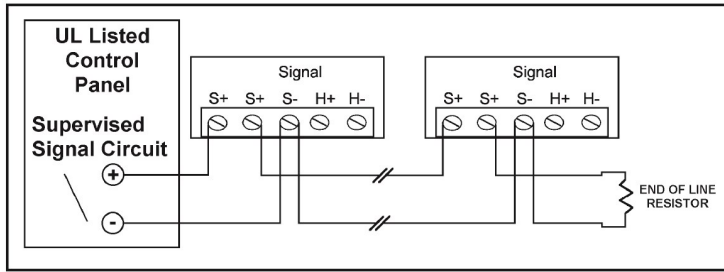
Horn Mode	Horn Decibel Levels: Reverberant Room		24 VDC Nominal Horn Current Ratings (mA)				Horn Current Ratings Over Input Voltage Range of 16-33V (mA)			
	Minimum SPL at 10Ft. Per ANSI/UL 464 (NORMAL)	Minimum SPL at 10Ft. Per ANSI/UL 464 (LOUD)	24 VDC Operating Current (NORMAL)	24VDC Operating Current (LOUD)	24VFWR Operating Current (NORMAL)	24VFWR Operating Current (LOUD)	Regulated 24VDC Max. Operating Current (NORMAL)	Regulated 24VDC Max. Operating Current (LOUD)	Regulated 24VFWR Max. Operating Current (NORMAL)	Regulated 24VFWR Max. Operating Current (LOUD)
Temporal 3 520 Hz	77.8 dBA	79.8 dBA	72.1 mA	120.1 mA	104.6 mA	158.4 mA	99.4 mA	155.8 mA	152.1 mA	213.5 mA
Temporal 4 520 Hz*	81.5 dBA	83.4 dBA	75.9 mA	116.0 mA	108.1 mA	182.0 mA	100.1 mA	157.2 mA	163.1 mA	235.2 mA

\*Temporal 4 520 Hz measured per ANSI/UL 2075

Specifications subject to change without notice.

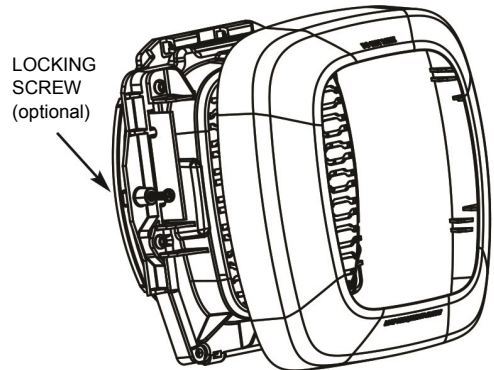
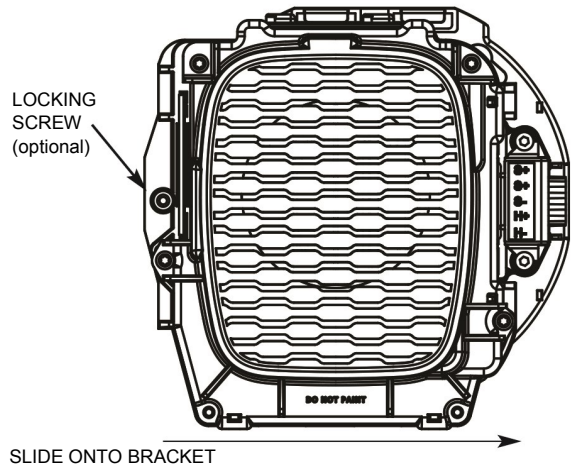
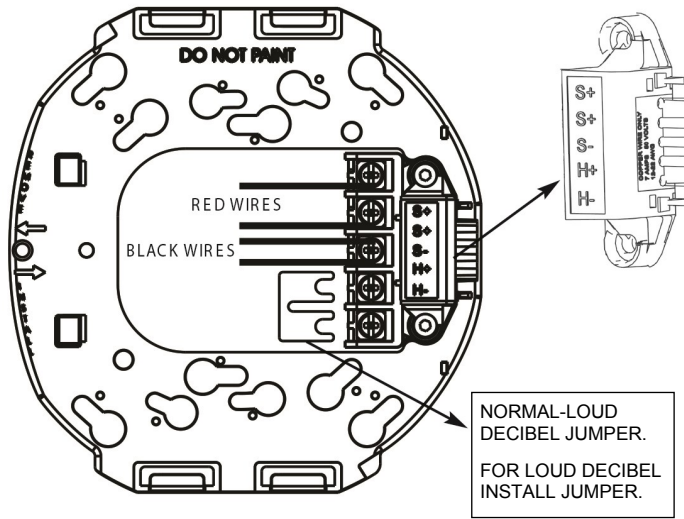
Continued on back.

## HHLF - LOW FREQUENCY AUDIBLE SIGNAL



**NOTES:**

- This appliance is not recommended for use on coded or pulsing signaling circuits
- The four pulse temporal pattern (temporal 4) can only be obtained on this product when used in conjunction with the Hochiki HTSM Synchronization Module



**Instant Voltage Verification:**

It is often necessary to confirm the voltage drop along a line of devices. The access holes are provided in the back of the terminal block to allow the voltage to be measured directly without removing the device. Typically this would be done at the end of the line to confirm design criteria. Most measurements will be taken using the S+ and S- locations although access is provided to other locations.

**NOTICE:** CARE SHOULD BE TAKEN TO NOT SHORT THE TEST PROBES.

**Mounting Bracket:**

Allows the installer to pre-wire the system, test for system supervision, remove the signal head until occupancy, switch out Hochiki America signals without changing mounting brackets and has locking edge connector for snap-in-place installation.

**ARCHITECT & ENGINEERING SPECIFICATIONS**

The alarm horns shall be Hochiki model HHLF. The appliance shall be listed with Underwriters Laboratories (ANSI/UL) for use with fire protective signaling systems (ANSI/UL 464) and with CAN/ULC S3597 with intended use in fire alarm systems. The HHLF will produce a peak sound output of 88.3 dBA as measured in an anechoic chamber. The appliance shall be polarized to allow for electrical supervision of the system wiring. The unit shall be provided with a mounting bracket with terminals and barriers for input/output wiring and be able to mount to a single gang or double gang box or double workbox without the use of an adapter plate. The HHLF shall be mounted on the wall or the ceiling. The unit shall have an input voltage range of 16-33 volts with either direct current or full wave rectified power at 24 VDC. The appliance shall be capable of testing supervision without disconnecting wires, verify voltage without removing unit and be capable of mounting to a surface back box.

**NOTES:**

- Operating temperature: 32° to 120°F (0° to 49°C). The HHLF is not listed for outdoor use.
- For nominal and peak current across ANSI/UL regulated voltage range for filtered DC power and unfiltered (FWR [Full Wave Rectified]) power, see installation manual.
- The sound output for the temporal 3 tone is rated lower since the time the horn is off is averaged into the sound output rating.
- RMS current ratings are per ANSI/UL average RMS method. ANSI/UL max current rating is the maximum RMS current within the listed voltage range (16-33VDC for 24VDC units).
- For unfiltered FWR ratings, see installation manual.