

EVAX - 100 Voice Evacuation System



DESCRIPTION

The EVAX 100 operates with any Fire Alarm Control Panel (FACP), and provides 100 Watts of speaker power.

The EVAX 100 includes all necessary features to provide an effective voice evacuation system. With the addition of zone splitters, remote microphone panels, and expander modules, the EVAX 100 can be custom configured to satisfy the needs of most applications.

The EVAX 100 has its own power supply and battery charger. Panel must be wired with 120 VAC and standby batteries connected.

A digital message repeater (DMR) is built into the EVAX 100. The selection of alarm tone and automatic message repeats, as well as the 6 Hour delay of the AC power failure reporting feature are all field configurable.

The paging microphone is an integral component. Removal of the microphone from the panel will cause a "Trouble" condition which will be reported locally, as well as through the FACP.

The EVAX 100 is housed in an attractive surface or semi-flush mounted backbox, with a hinged and key locked door.



STANDARD FEATURES

- Clean dead-front construction
- Digitally recorded automatic voice evacuation (up to 4 minutes of message capacity)
- 100 Watt high efficiency digital amplifier
- 25 or 70 VRMS field selectable
- 120 VAC power supply and battery charger
- Live microphone override of message and tone
- Analog addressable compatible
- High reliability, no maintenance, fully supervised
- Easy installation and operation
- Natural voice sound recordings
- Built-in alarm and alert signals
- Up to 4 minute message capacity
- Works with 12VDC or 24VDC fire alarm panels
- Works with analog/addressable and microprocessor based fire alarm panels
- 3 minute message restart on microphone key
- 24 hour backup with two 12V 7 AHr batteries
- Made in the USA

SPECIFICATIONS

| | |
|-----------------------|--|
| Primary Power | 120VAC @ 2A |
| 24 VDC Battery Power; | |
| Standby | 0.180A |
| Alarm | 2.5A |
| Output | 100 Watts @ 25/70 VRMS tone and voice |
| Backbox Dimensions | 14.5"W x 18"H x 4"D |
| Color | Red/Charcoal Grey |

PRODUCT LISTINGS

| | | | |
|------------------|---|---|--|
| SIGNALING |  |  | California State Fire Marshal 6911-0410:176 |
|------------------|---|---|--|

Continued on back.

Specifications subject to change without notice

Hochiki America Corporation

7051 Village Drive, Suite 100 Buena Park, CA 90621-2268
Phone: 714/522-2246 Fax: 714/522-2268
Technical Support: 800/845-6692 or technicalsupport@hochiki.com



Find latest revision at www.hochiki.com



F0090 03/2014

ENGINEERING SPECIFICATIONS

The voice evacuation system shall be EVAX Systems Series EVAX 100 or approved equal.

The voice evacuation system shall provide 100 watts signal power and 100 watts voice power, and shall be UL listed. All speaker circuits shall be field selectable for 25 or 70 Vrms operation and shall be power limited.

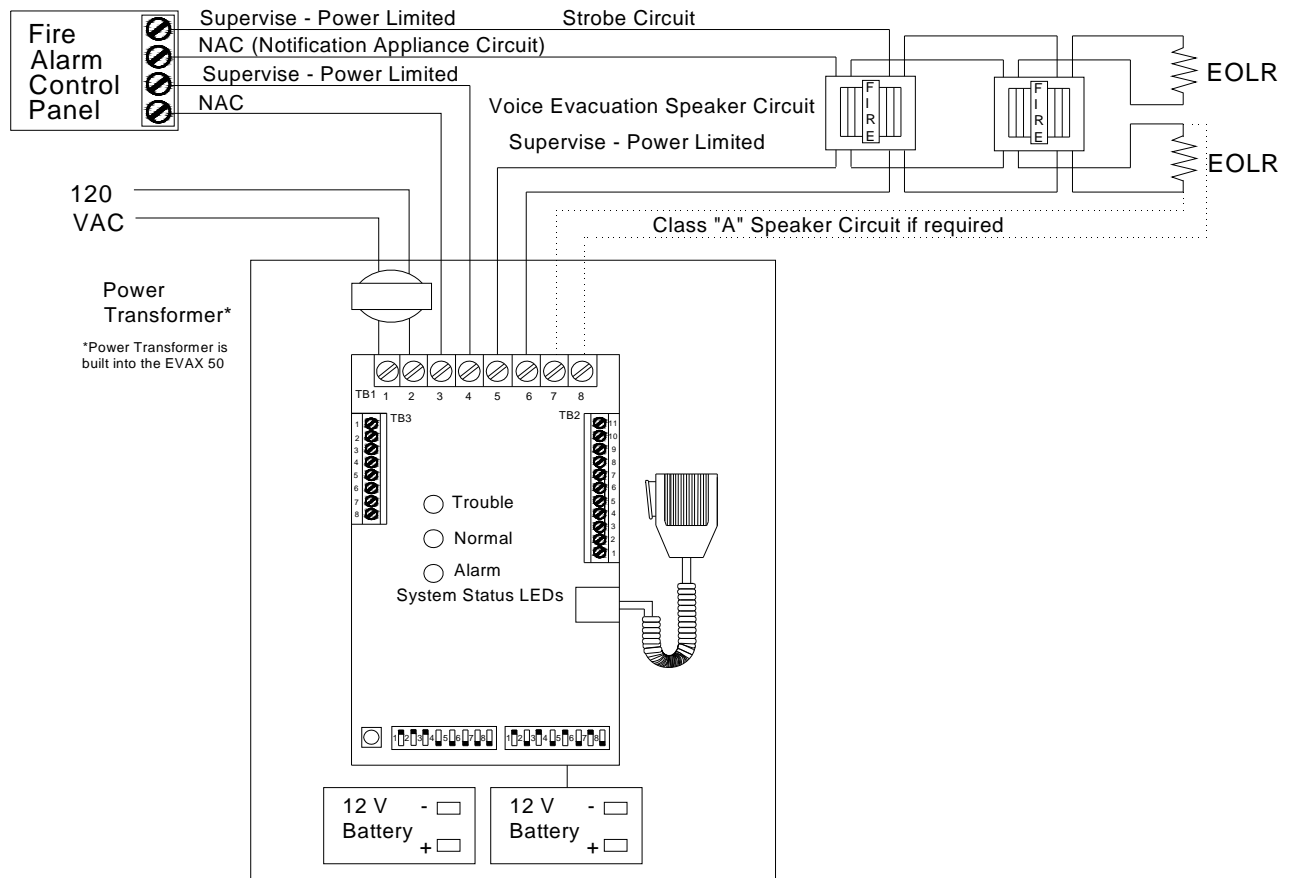
The voice evacuation system shall be micro-processor based, and shall contain an integral microphone, 100 Watt audio amplifier, tone generator, digital message repeater, 120VAC power supply and battery charger.

The voice evacuation message/signal shall be broadcast until the Fire Alarm Control Panel (FACP) is reset, or until fire emergency personnel interrupt the broadcast with a manual page. On reset system shall automatically return to standby (normal operating) condition.

A secondary message shall be provided which can be triggered by the closure of a contact from either the FACP or from any normally open contact device.

Remote paging microphone (s) will be supported by the system through a supervised circuit. Remote microphone (s) can be mounted up to 5000 feet away from the voice evacuation panel.

WIRING DIAGRAMS



ORDERING INFORMATION

| Model Number | Description |
|--------------|---|
| EVAX 100 | 100W Voice Evacuation System, with power supply/battery charger, paging microphone and digital message repeater |
| EVAX 100/4Z | 100W Voice Evacuation System, with 4 speaker zones |
| EVAX 100/8Z | 100W Voice Evacuation System, with 8 speaker zones |
| EVAX 100/12Z | 100W Voice Evacuation System, with 12 speaker zones, in a large cabinet 14.5"w x 27h" x 4"d |
| EVAX 100/16Z | 100W Voice Evacuation System, with 16 speaker zones, in a large cabinet 14.5"w x 27h" x 4"d |